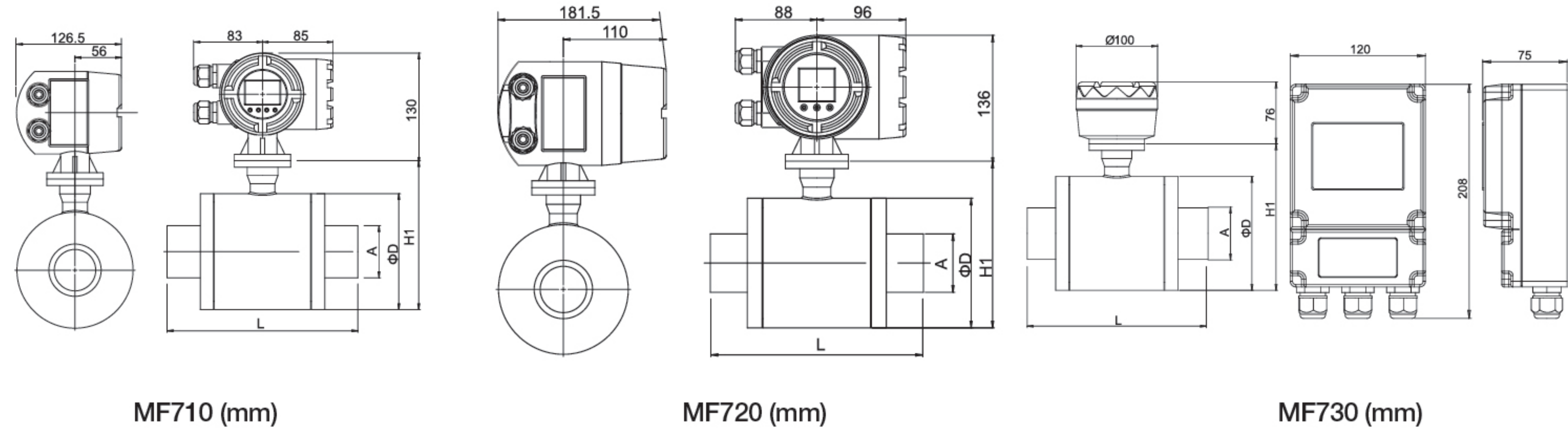


The Series KF700-VA Thread Type Electromagnetic Flowmeter

From 10mm to 100mm, accuracy up to ±0.2%, ultra-low conductivity liquids as 1µs/cm



The Series KF700-VA Thread Type Electromagnetic Flowmeter is designed for flow measurement in pipelines with diameters ranging from DN10 to DN100, particularly suitable for applications with high sealing requirements, especially for small-diameter pipelines. Adopting electromagnetic measurement technology, it has no moving parts, enabling accurate measurement even in applications where liquids contain impurities, with extremely low post-operation maintenance workload. Its specially designed electrodes can reduce dirt accumulation, and it has minimal requirements for straight pipe sections at the front and rear. This series of products can measure liquids with a conductivity as low as 1µs/cm. All models are equipped with indicators for instantaneous flow and totalized flow. They come with 4-20mA output and pulse output, which are used in applications such as remote display or control, data acquisition, and remote measurement.

FEATURES

- Threaded connection, meeting the requirements for small flow rate and high-precision measurement.
- Capable of measuring ultra-low conductivity liquids (as low as 1µs/cm)
- Customizable to achieve an accuracy of up to ±0.2%
- On-site configuration via the display screen to meet application requirements
- Ensures accurate measurement even when temperature, density, or viscosity changes, thereby improving system efficiency;
- Features long service life, low cost, and minimal maintenance needs
- No moving parts, avoiding wear, tear, or damage
- Electrode design with anti-fouling and anti-damage properties
- Adopts an unobstructed flow measurement method, resulting in no pressure loss

APPLICATIONS

- Petrochemical industry
- Metallurgical industry
- Textile industry
- Semiconductor industry
- Paper and pulp
- Power plants
- Urban water supply and drainage

SPECIFICATIONS	
Pipe Size	From DN10 to DN100
Electrode Material	316L; optional: Hastelloy Hc, Hastelloy Hb, titanium alloy (Ti), platinum alloy (Pt), tantalum alloy (Ta)
Liner Material	Optional liners: PTFE, F46, PFA
Service	Conductive liquids compatible with the selected material
Medium Conductivity	>20µs/cm; optional low-conductivity measurement down to 1µs/cm
Accuracy	Within the range: ±0.5% RD; ±0.2% RD (optional)
Flow Velocity Range	0.3m/s - 10m/s
Temperature Rating	PTFE liner up to 130°C; F46 liner up to 150°C; PFA liner up to 150°C
Pressure Rating	PN6, PN10, PN16, PN40 (varies by model)
Enclosure Rating	IP65, IP67, IP68 (varies by model)
Output Signal	4-20mA + pulse + RS485; optional with HART protocol
Power Requirements	Optional: 85-265V AC 50Hz, 85-265V AC 60Hz, or 18-36V DC
Electrical Connections	M20*1.5
Process Connections	BSP thread, NPT thread, PT thread

Model Chart										
Example	KF700-VA	-A1	-25	-1	-1	-L	-3	-2	-1	-A1
Series	KF700-VA									
Converter Type	A1: Integrated Type with MF710 Converter A2: Integrated Type with MF720 Converter B3: Remote Type with MF730 Converter									
Pipe Size	10: DN10, 0.08m³/h - 1.6m³/h; L x D x H1 = 190x91x130mm 15: DN15, 0.2m³/h - 4m³/h; L x D x H1 = 190x91x130mm 20: DN20, 0.3m³/h - 6m³/h; L x D x H1 = 190x91x130mm 25: DN25, 0.5m³/h - 10m³/h; L x D x H1 = 190x91x130mm 32: DN32, 0.8m³/h - 16m³/h; L x D x H1 = 200x105x145mm 40: DN40, 1.2m³/h - 25m³/h; L x D x H1 = 220x120x160mm 50: DN50, 2m³/h - 40m³/h; L x D x H1 = 230x140x180mm 65: DN65, 3.5m³/h - 60m³/h; L x D x H1 = 240x150x190mm 80: DN80, 5m³/h - 100m³/h; L x D x H1 = 250x160x200mm 100: DN100, 8m³/h - 160m³/h; L x D x H1 = 270x190x230mm									
Thread Type	1: BSP thread 2: NPT thread 3: PT thread									
Body Material	1: 304 Stainless Steel 2: 316L Stainless Steel									
Electrode Material	L: 316L Stainless Steel C: Hastelloy Hc B: Hastelloy Hb T: Titanium (Ti) P: Platinum (Pt) A: Tantalum (Ta)									
Liner Material	1: PTFE (DN25-DN2000), Temperature Resistance up to 130°C 2: F46 (DN10-DN300), Temperature Resistance up to 150°C 3: PFA (DN10-DN300), Temperature Resistance up to 150°C									
Enclosure Rating	1: IP65 2: IP67 3: IP68 (for Remote Type)									
Output Signal	1: 4-20mA + Pulse 2: 4-20mA + Pulse + RS485 3: 4-20mA + Pulse + HART (applicable only to MF720, 730)									
Power Requirements	A1: 85-265V AC 50Hz A2: 85-265V AC 60Hz B: 18-36V DC									